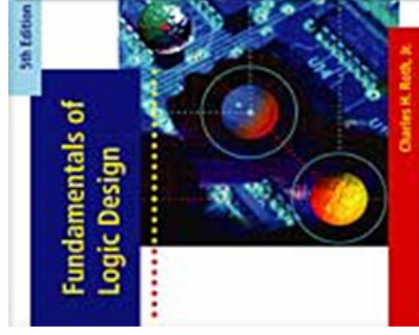


APPENDICES



This chapter in the book includes:

- A MOS and CMOS Logic
- B VHDL Language Summary
- C Proofs of Theorems

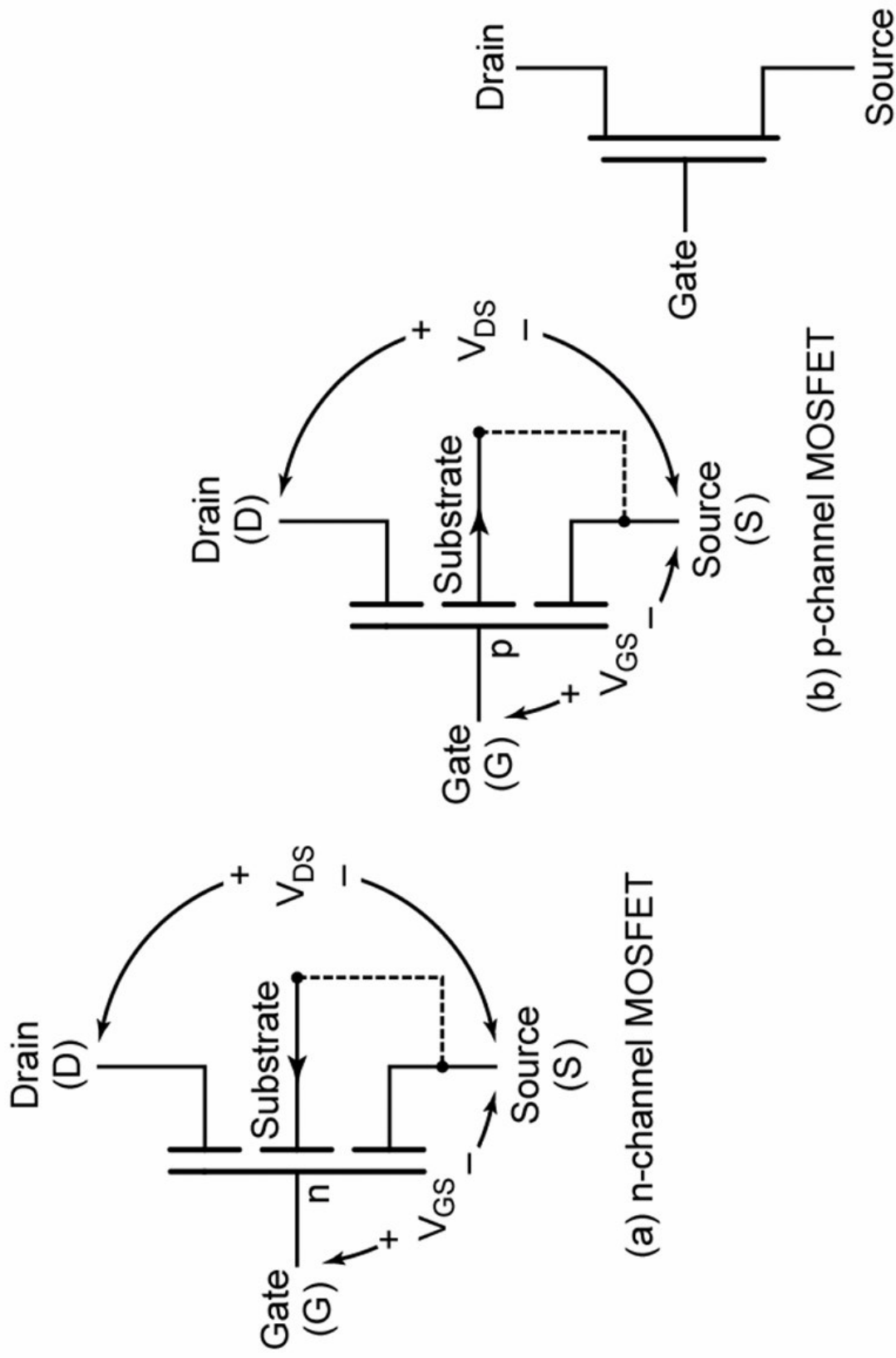


Figure A-1: MOSFET Symbols

(c) General MOSFET symbol

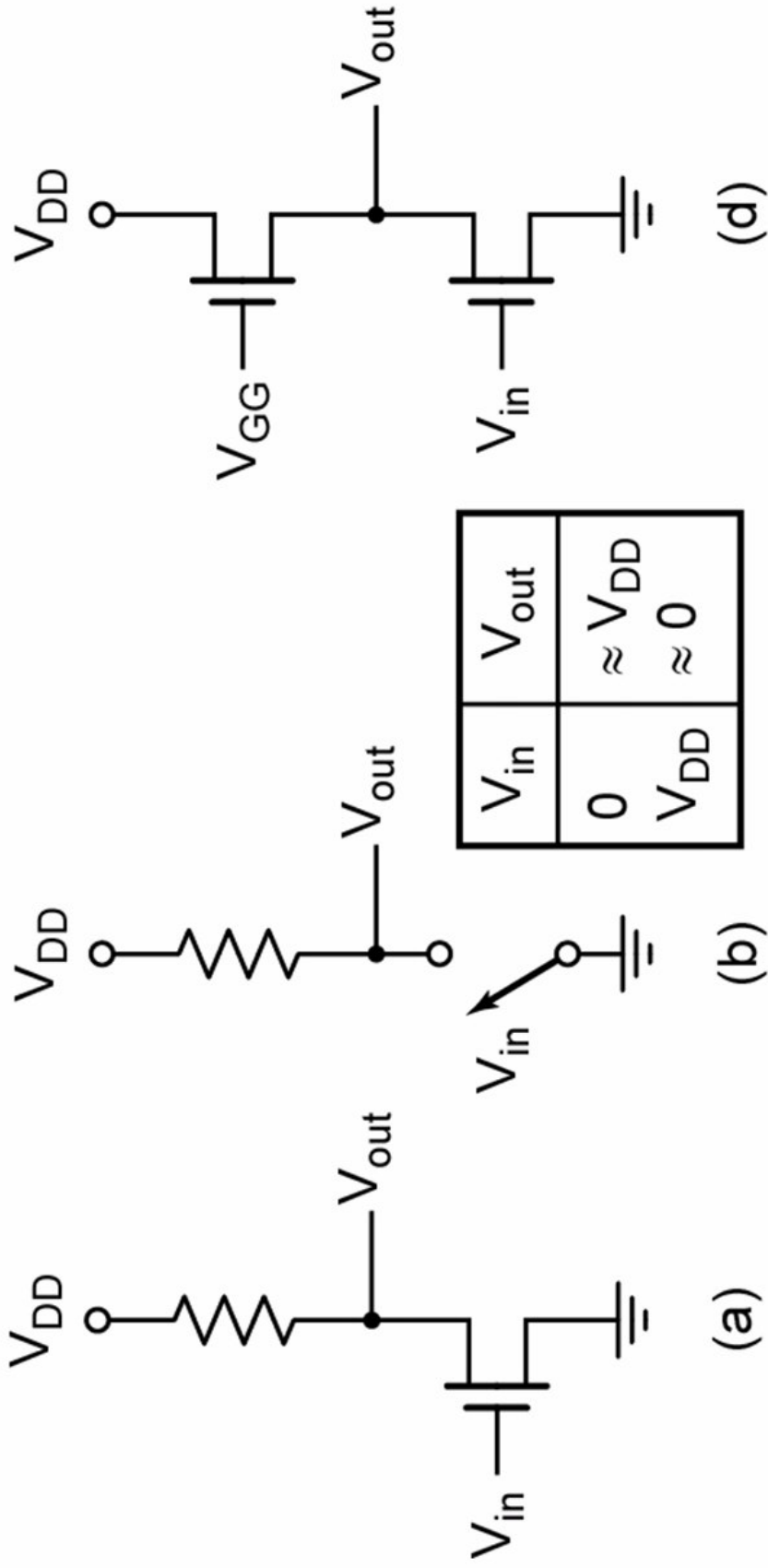
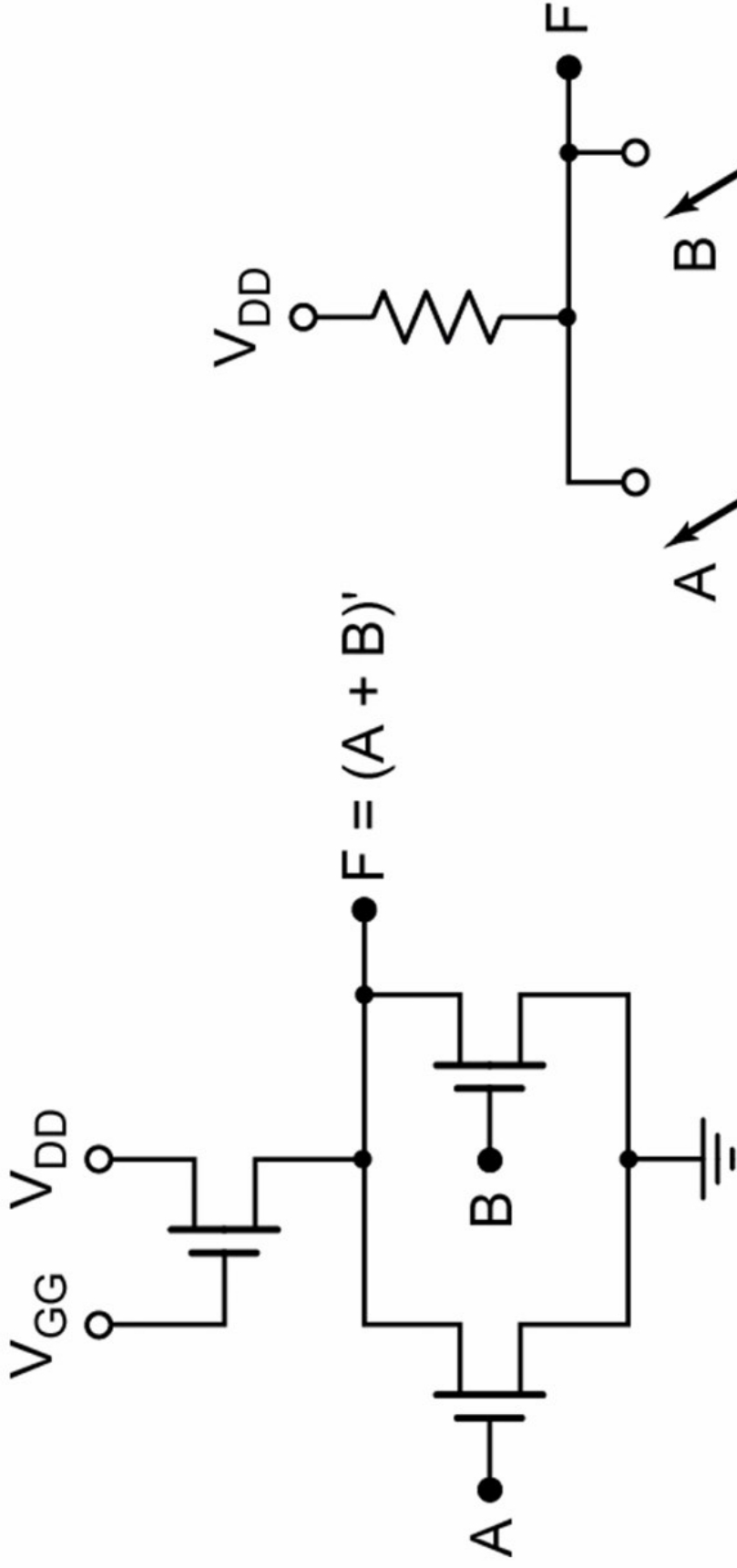


Figure A-2: MOS Inverter

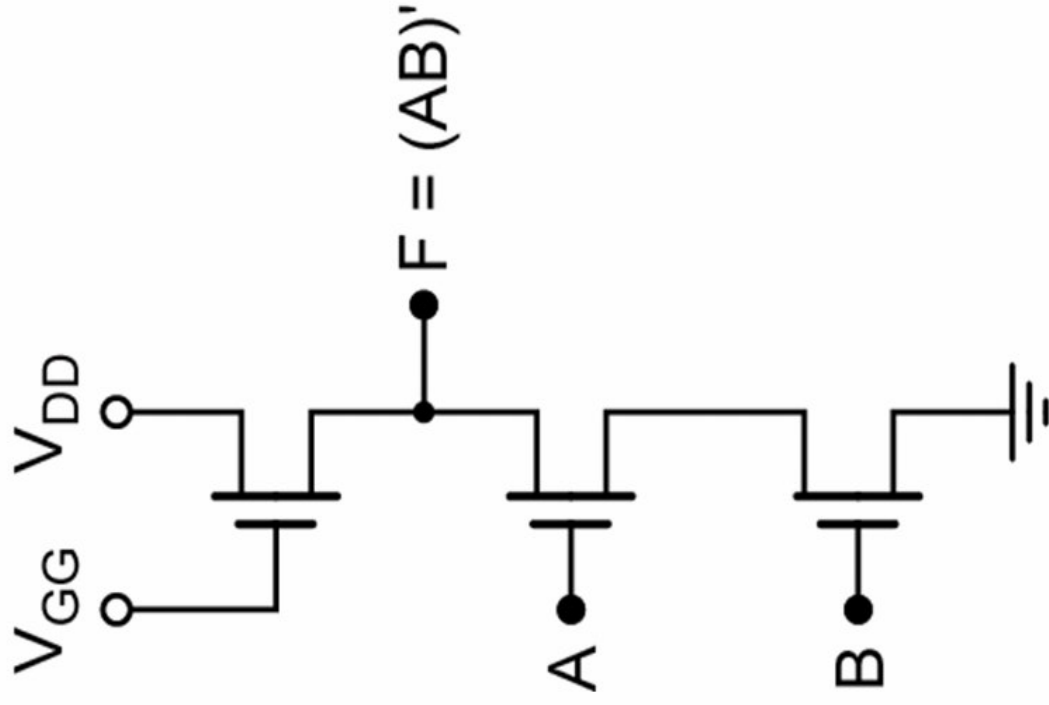




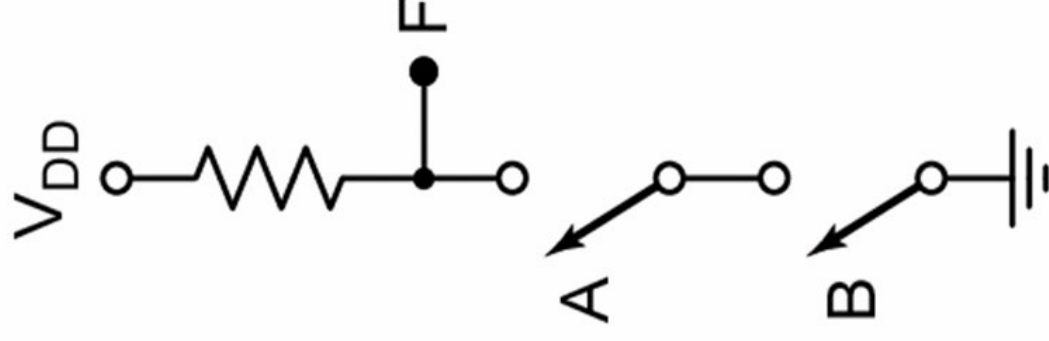
(a) MOS NOR gate

Figure A-3ab:
MOS Gates

(b) Switch analog



(c) MOS NAND gate



(d) Switch analog

Figure A-3cd: MOS Gates

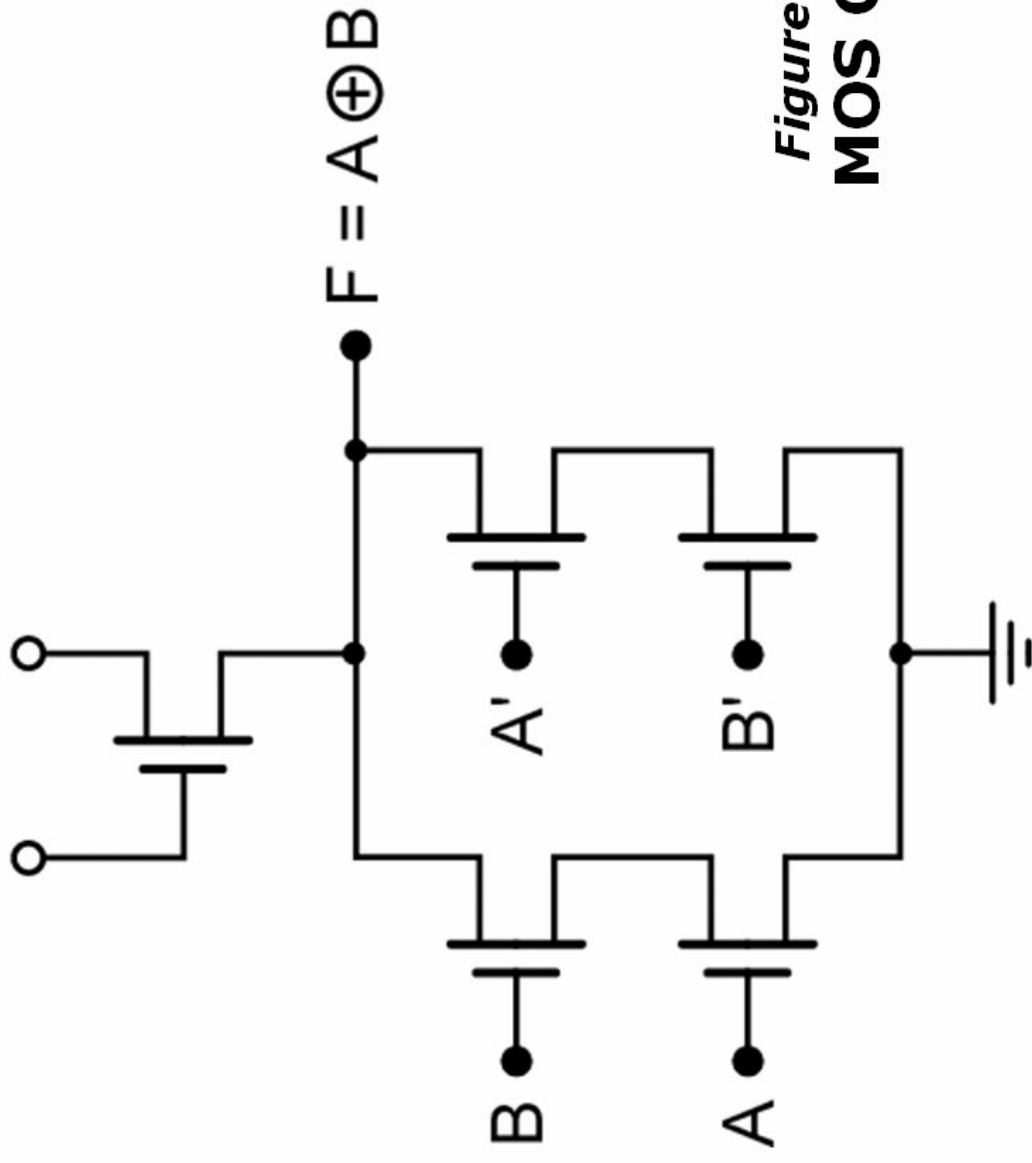


Figure A-3e:
MOS Gates

(e) MOS exclusive-OR gate

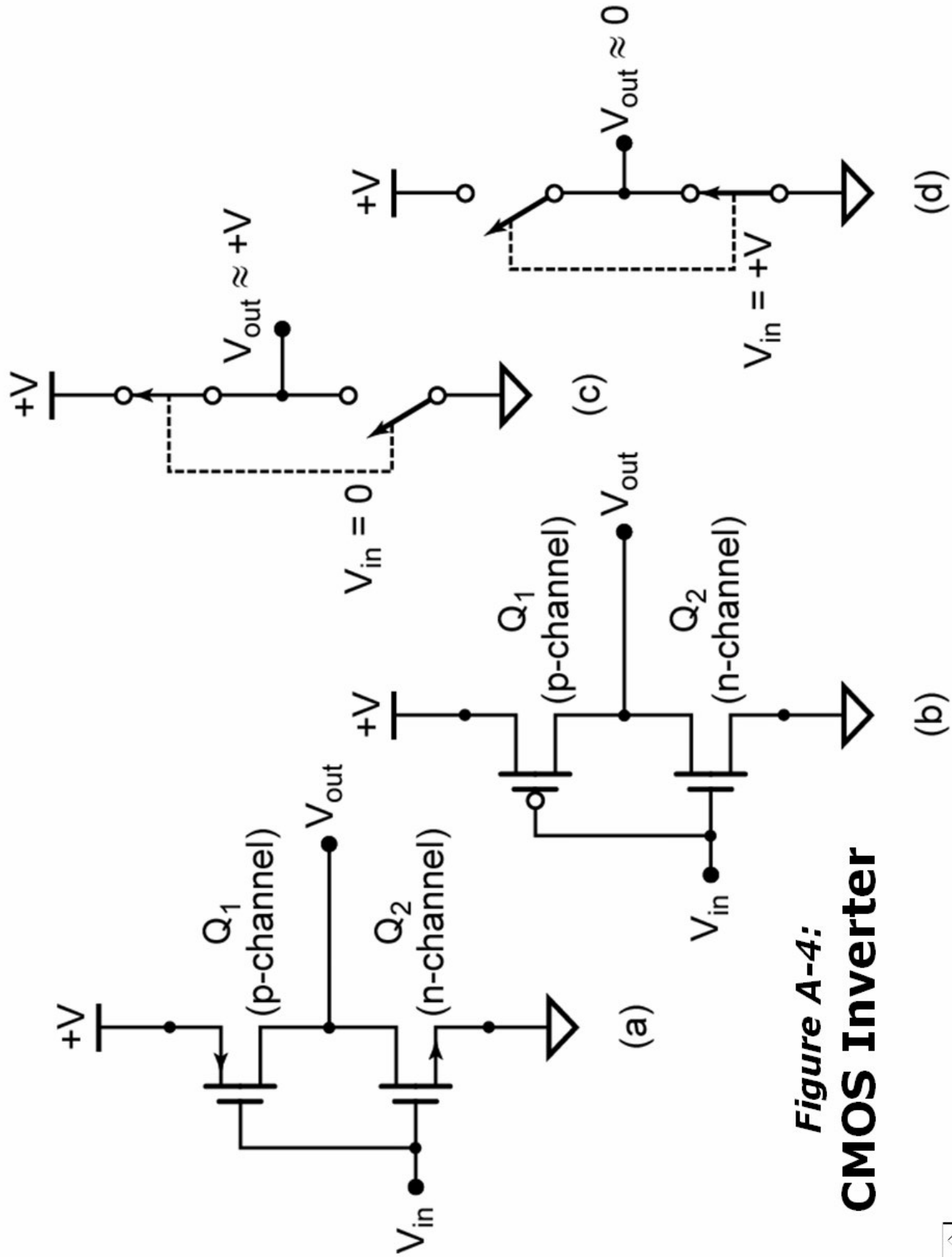
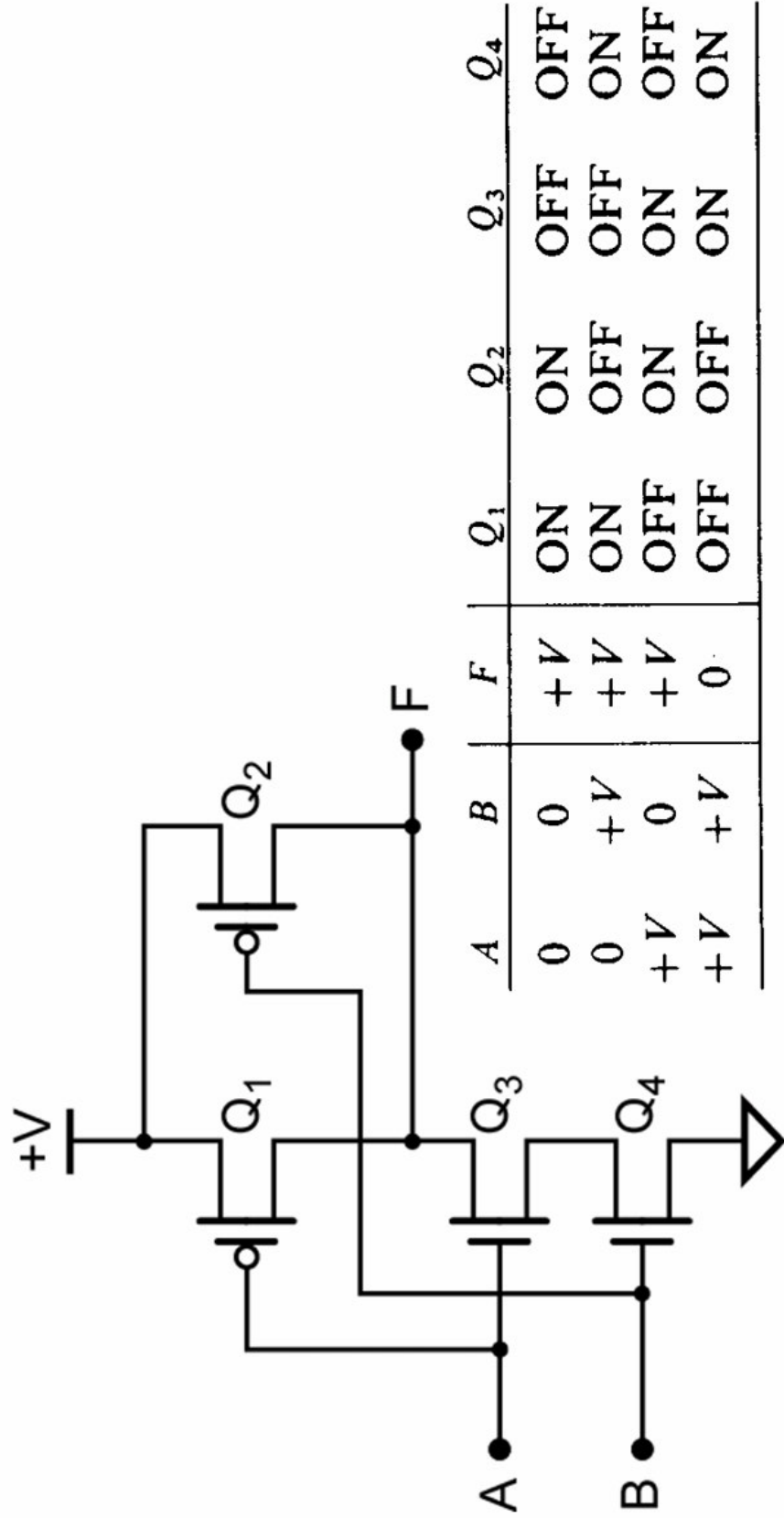


Figure A-4:
CMOS Inverter



(a) Circuit diagram

(b) Truth table

Figure A-5: CMOS NAND Gate

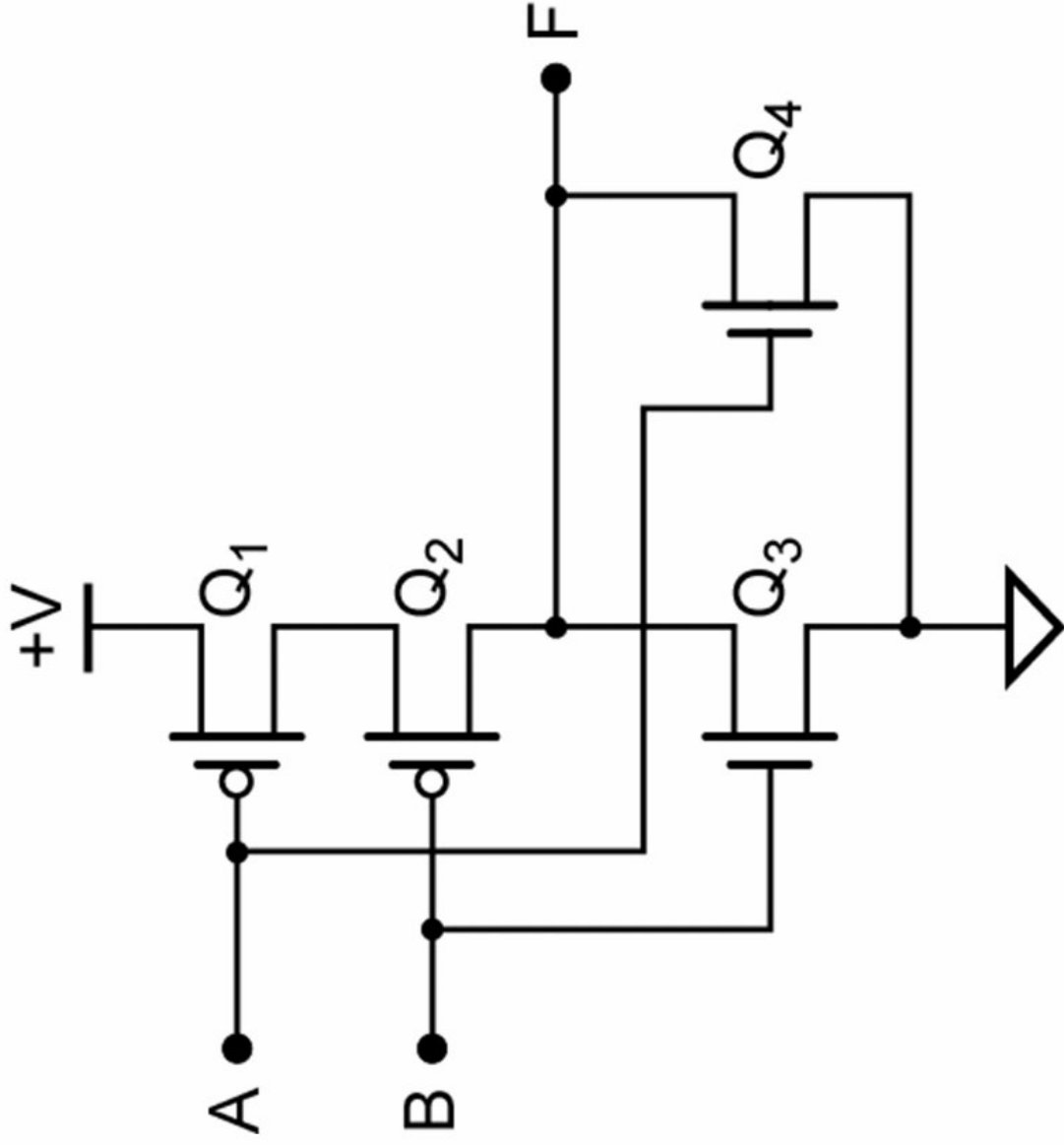


Figure A-6: CMOS NOR Gate



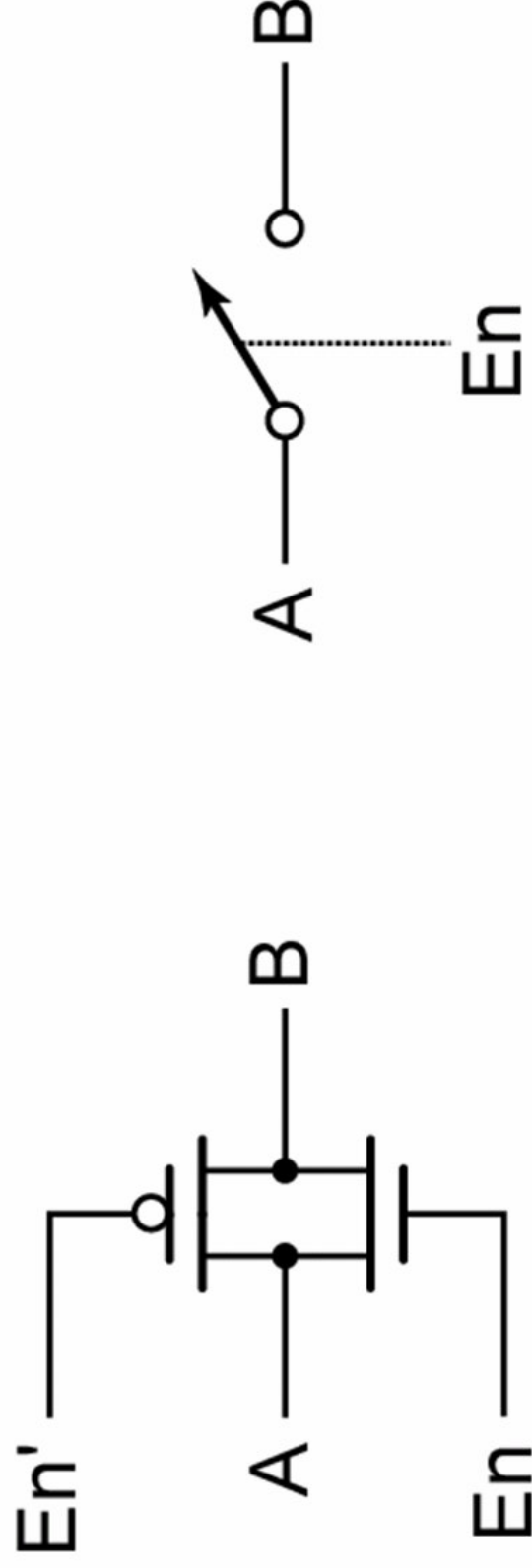


Figure A-7: CMOS Transmission Gate and Switch Analog

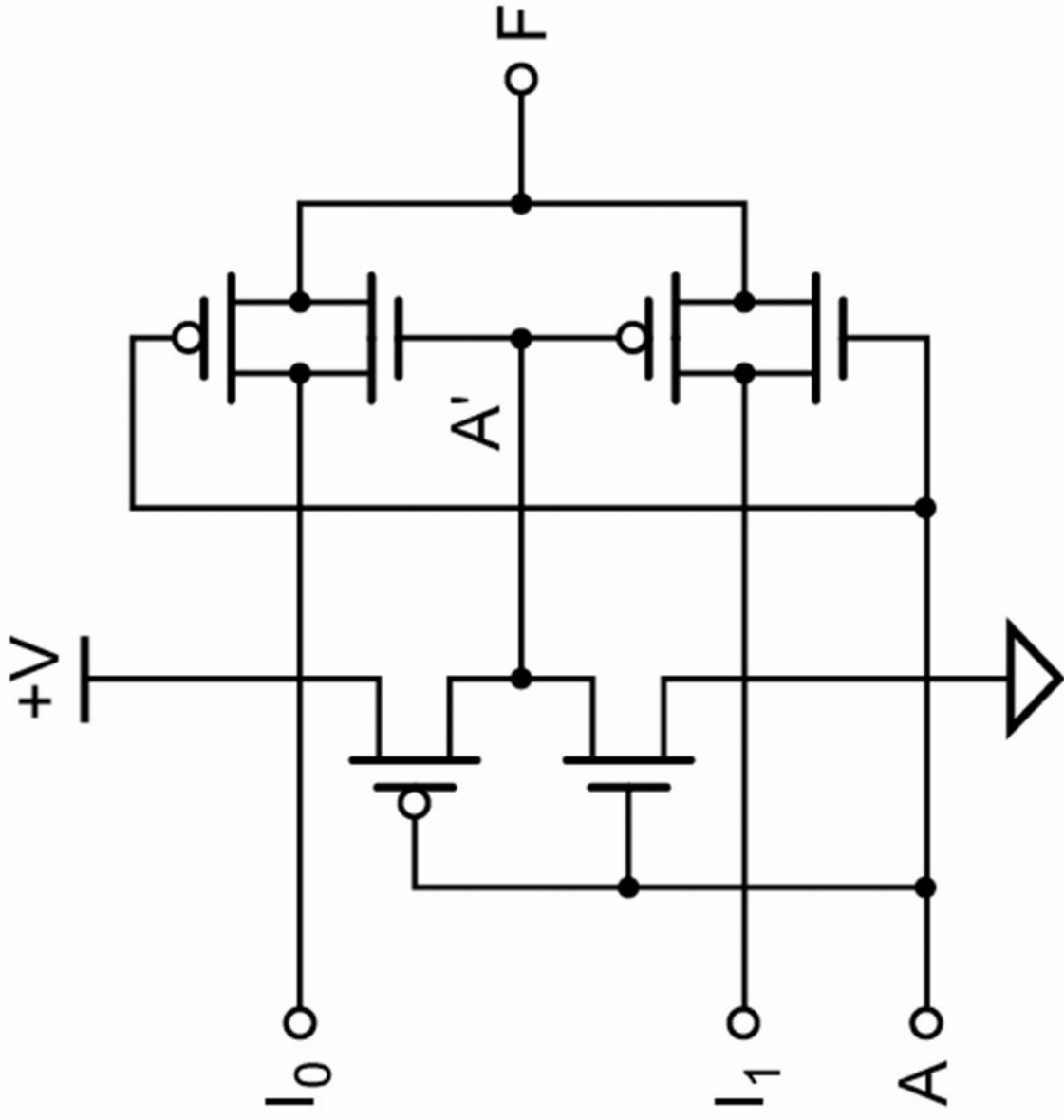


Figure A-8: CMOS Multiplexer



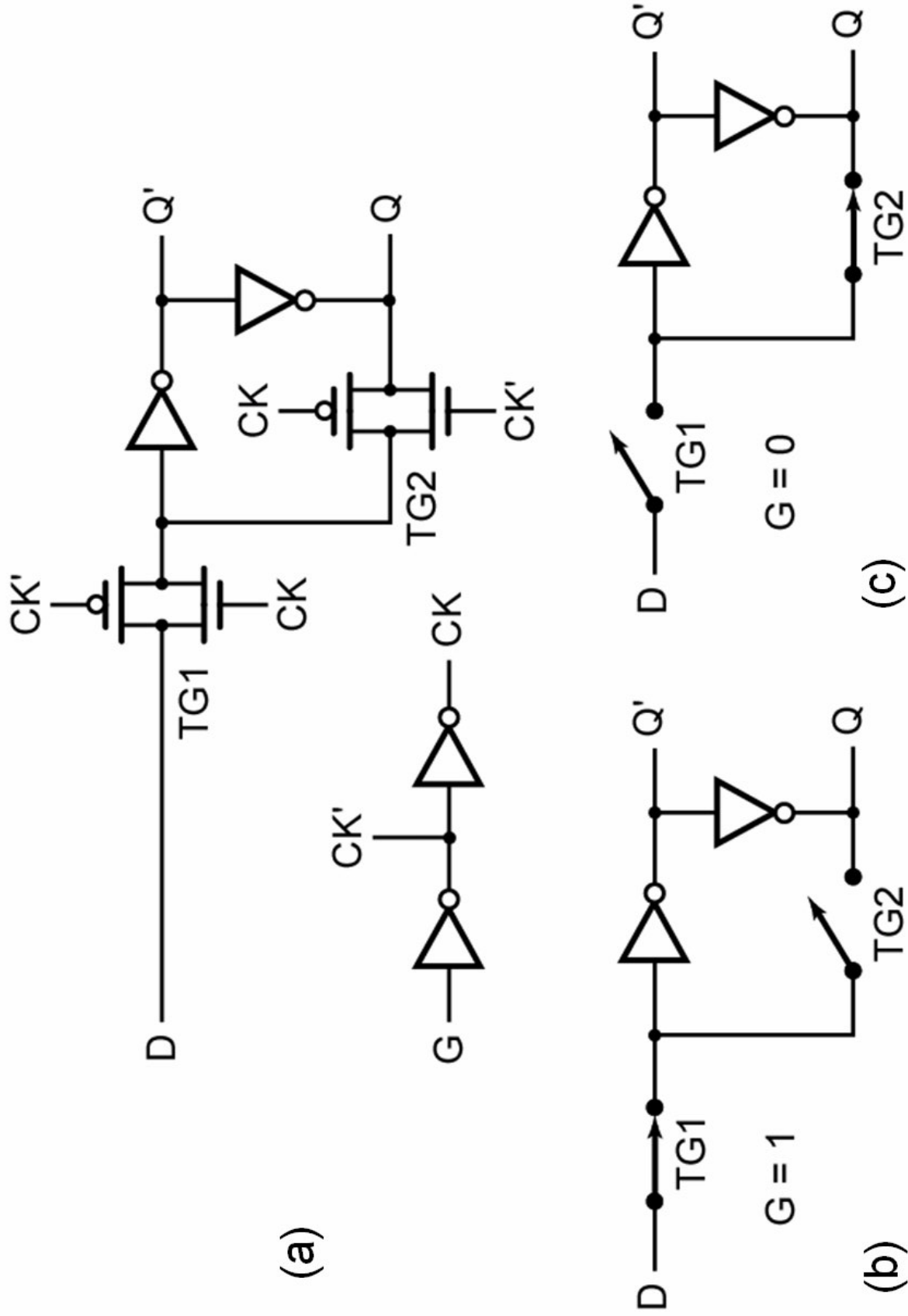
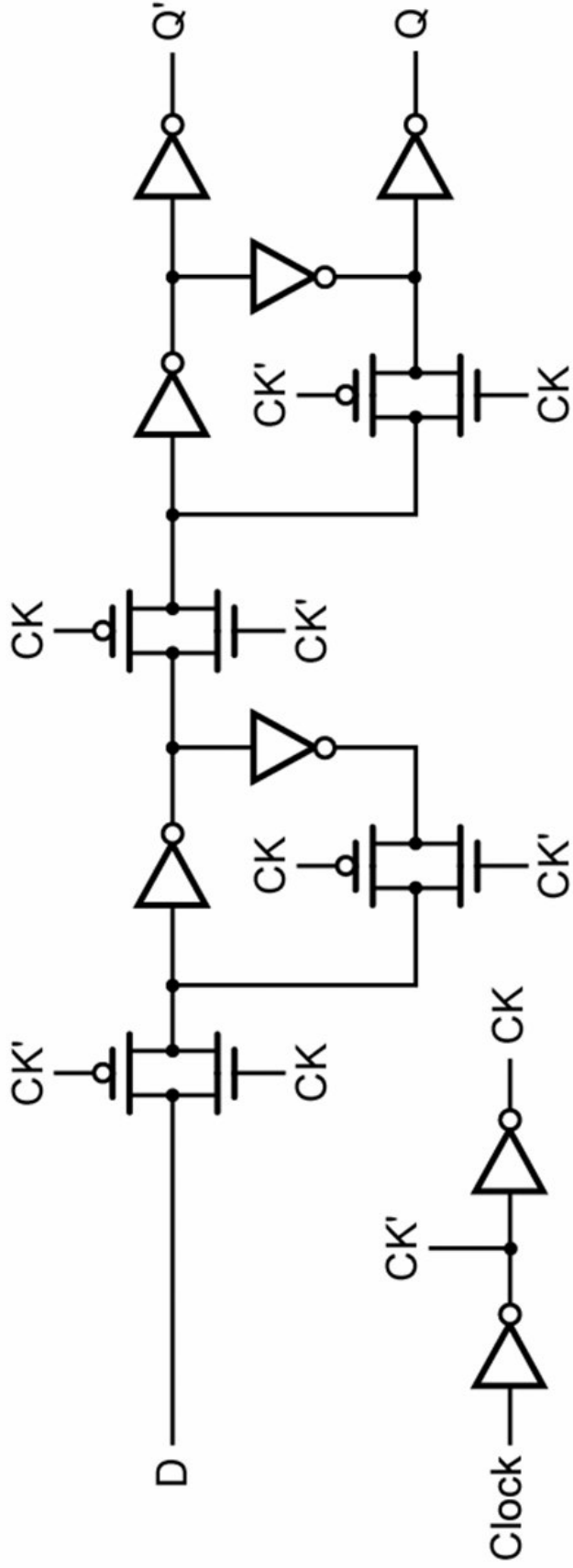


Figure A-9: CMOS Latch and Switch Analogs

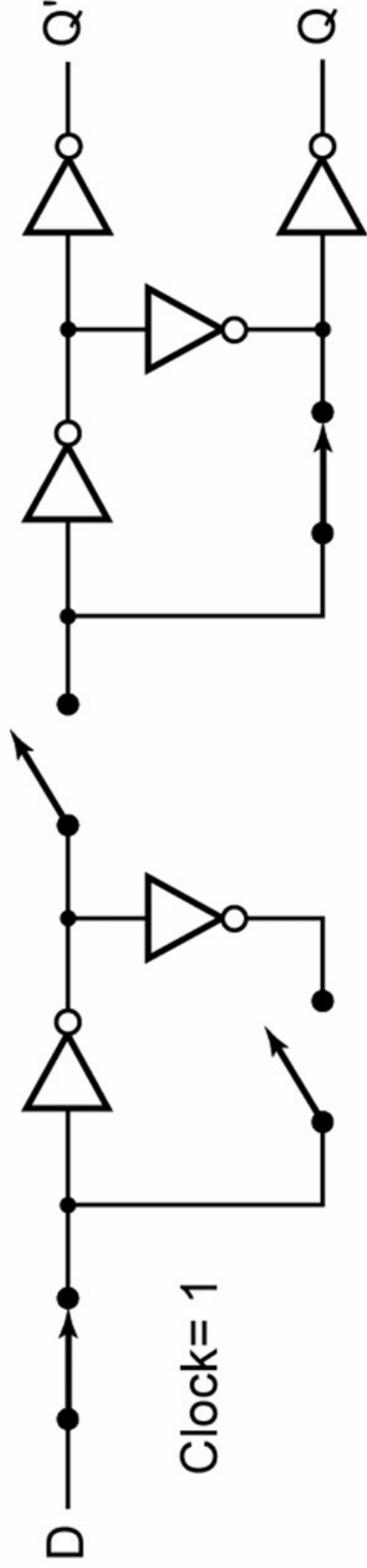
©2004 Brooks/Cole



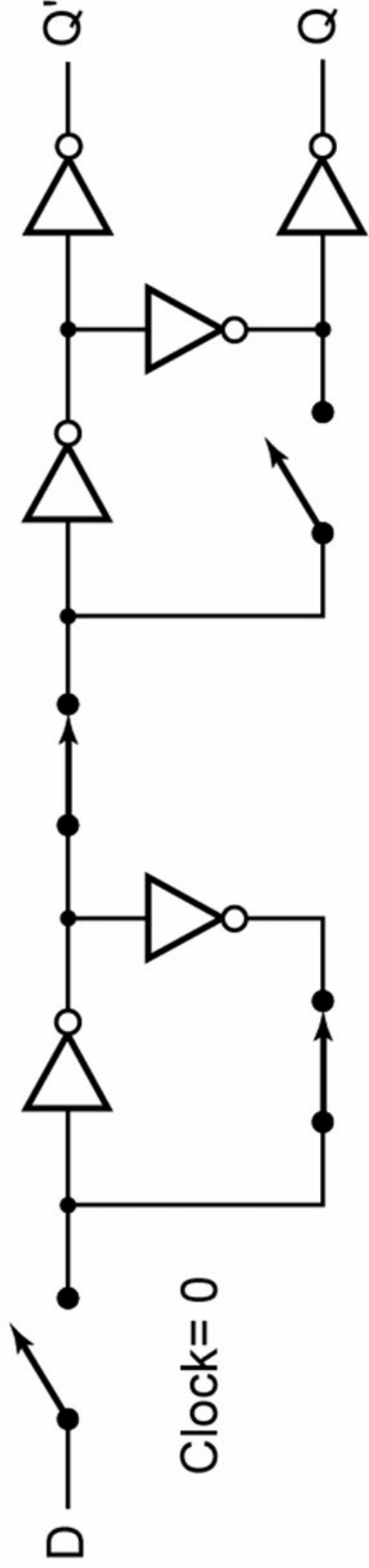


(a) Construction from two latches

Figure A-10a: Falling-Edge Triggered D Flip-Flop



(b) Switch analog for Clock = 1



(c) Switch analog for Clock = 0

Figure A-10b: Falling-Edge Triggered D Flip-Flop

